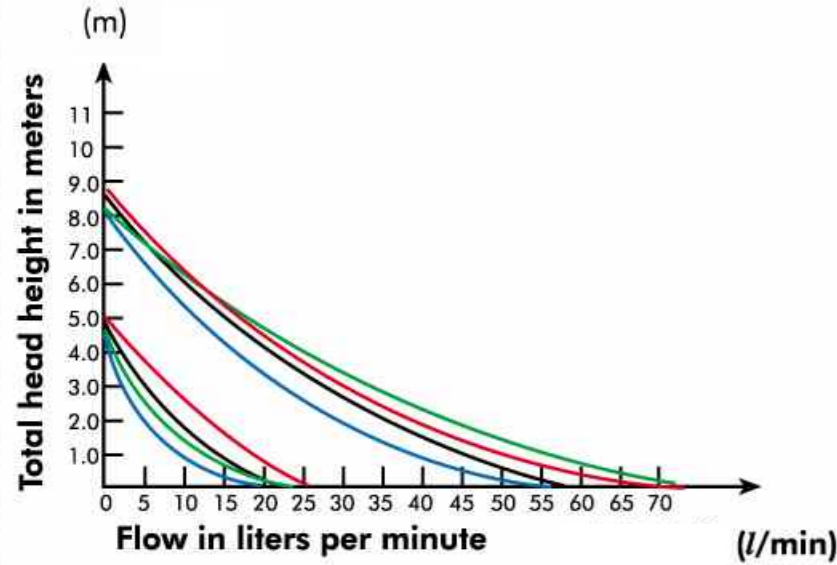


Suction Pump

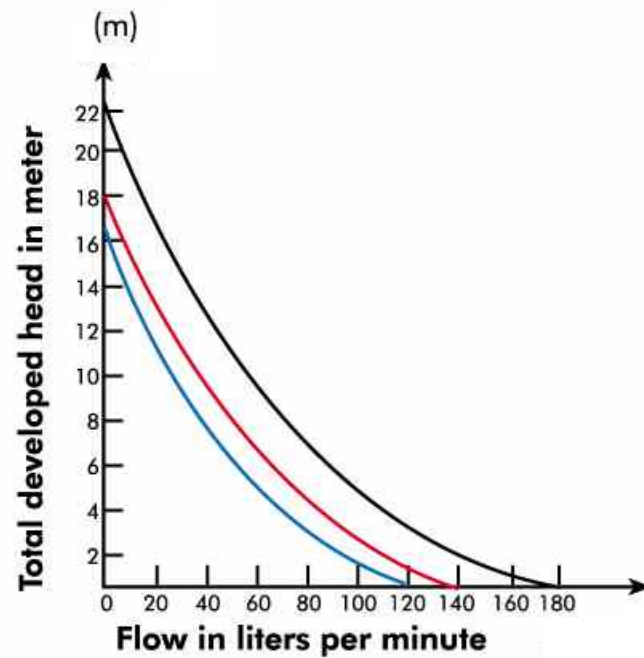


1/8HP:

- 3 phase, 3/8" PT discharge bore, 12 mm
- 1 phase, 3/8" PT discharge bore, 12 mm
- 3 phase, 1/2" PT discharge bore, 15 mm
- 1 phase, 1/2" PT discharge bore, 15 mm

1/4HP:

- 3 phase, 1/2" PT discharge bore, 15 mm
- 1 phase, 1/2" PT discharge bore, 15 mm
- 3 phase, 3/4" PT discharge bore, 20 mm
- 1 phase, 3/4" PT discharge bore, 20 mm



1/2HP:

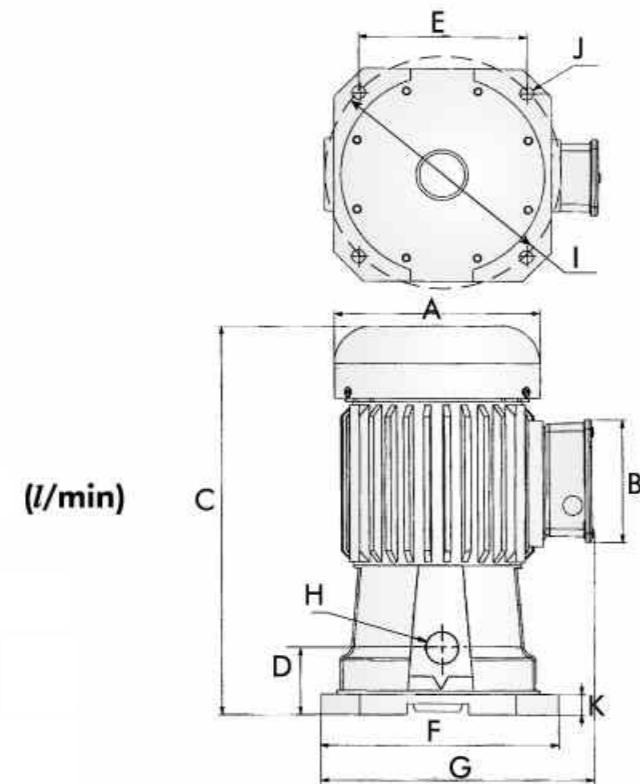
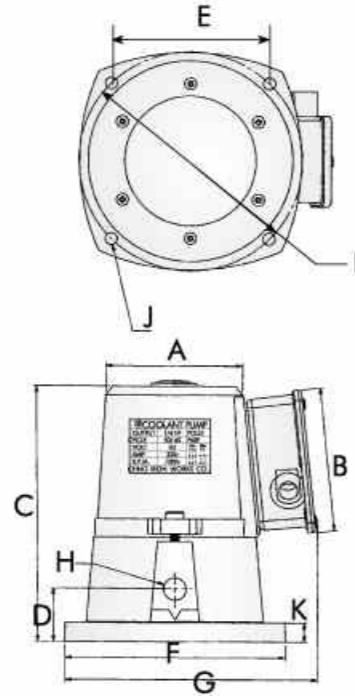
- 3 phase, 1" PT discharge bore, 27 mm

1 HP:

- 3 phase, 1" PT discharge bore, 27 mm

1.5 HP:

- 3 phase, 1" PT discharge bore, 27 mm



unit:mm

MODEL NO.	HP	A	B	C	D	E	F	G	H	I	J	K
MC-8000	1/8	94	94	173	35	105	147	187	3/8" PT	140	8	13
MC-4000	1/4	130	94	233	55	131	178	215	1/2" PT 3/4" PT	185	10	18
MC-2000	1/2	162	94	310	72	151.5	170	216	3/4" PT	215	11	18
MC-1000	1	178	94	354	75	153.5	204	233	1" PT	219	11	20
MC-Y000	1.5	178	94	354	75	158.5	204	233	1" PT	219	11	20

MODEL NO.	HP / HP	HEIGHT	L/min MAX. OUTPUT		DISCHARGE BORE	LIFT/METER		WEIGHT
			(Single Ph.)	(Three Ph.)		(Single Ph.)	(Three Ph.)	
MC-8000	1/8 HP(0.09kw)	35 m/m	21	22	3/8" PT	4.6	5	7 Kg
MC-4000	1/4 HP(0.18kw)	55 m/m	23	25	1/2" PT	4.6	5	16 Kg
MC-2000	1/2 HP(0.37kw)	72 m/m	56	58	1/2" PT	8.1	8.6	21 Kg
MC-1000	1 HP(0.75kw)	75 m/m	72	74	3/4" PT	8.1	8.6	26 Kg
MC-Y000	1.5 HP(1.12kw)	75 m/m	—	120	3/4" PT	—	16.3	28 Kg
			—	145	1" PT	—	18	
			—	170	1" PT	—	22.5	

FEATURES AND CONSTRUCTION :

- All products are certified by **ISO 9001**.
- All products are certified by **CE**, from Germany SLG Association.
- All products are certified by Canadian **CSA** and American **US**.
- The entire unit is manufactured from high quality cast iron to ensure high stability, this eliminates problems with breakages over long periods of operations, which occurs on aluminium or plastic constructed models.
- Precision machine parts eliminate liquid damage to the pump interior. The machine also has a special anti-electrical shock feature, which is certificated by international **IP-54** dust- and water-free certification.
- Models that meet all international quality standards are available.



FLAIR INDUSTRY ACCESSORY CO., LTD.

NO.36, SAN FONG RD., HOULI,
TAICHUNG, TAIWAN
TEL: 886-4-25567339
FAX: 886-4-25570592

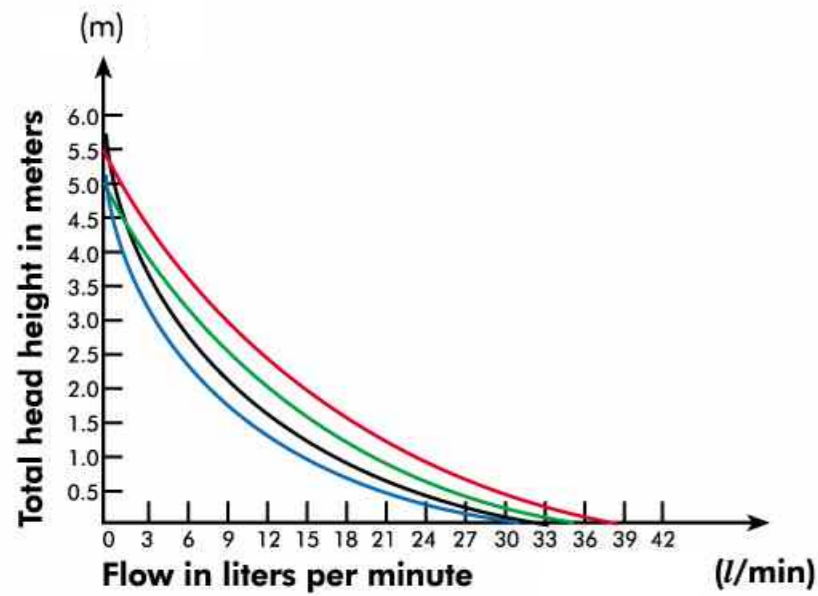


POWERFUL COOLING PUMP

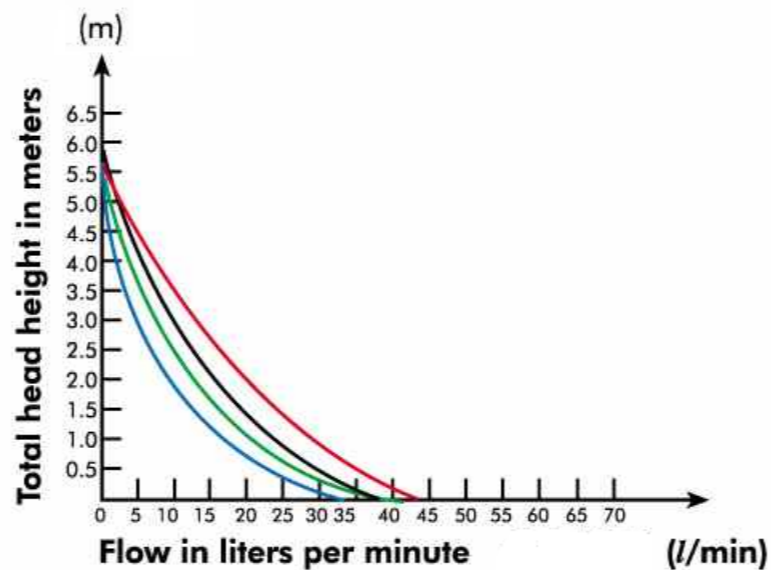
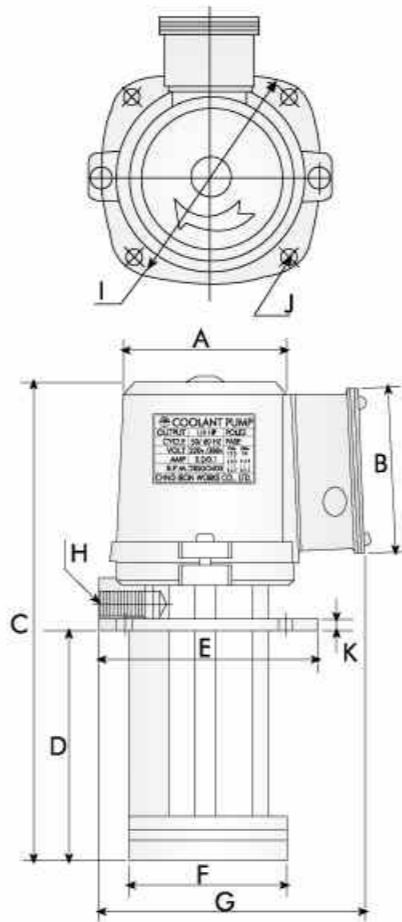


All products are certified by **ISO 9001**

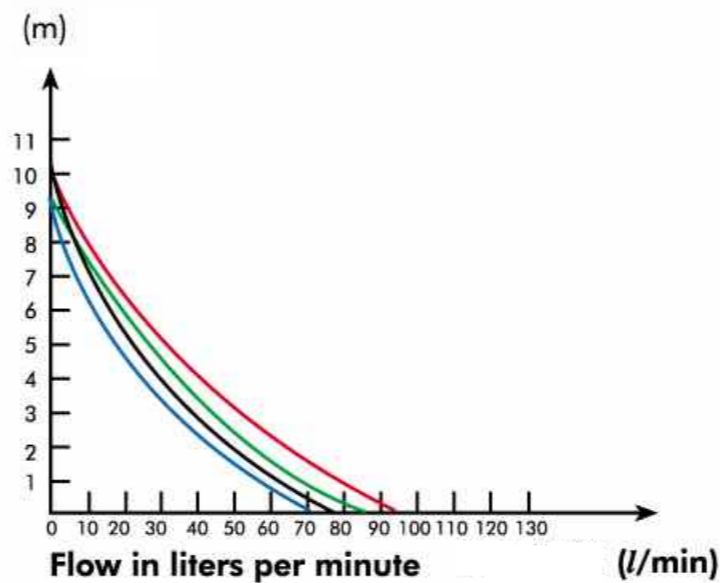
Immersible Pump



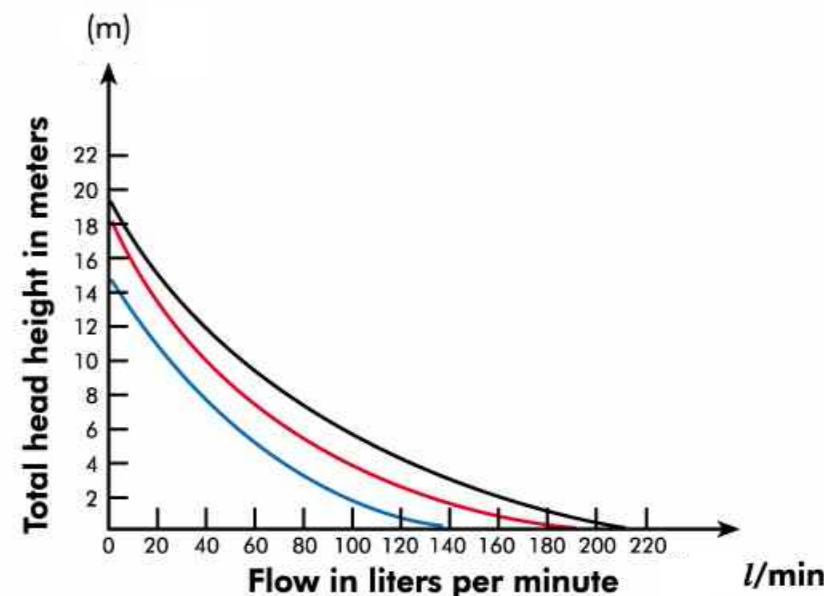
- 1/8HP:**
- 3 phase, 3/8" PT discharge bore, 12 mm
 - 1 phase, 3/8" PT discharge bore, 12 mm
 - 3 phase, 1/2" PT discharge bore, 15 mm
 - 1 phase, 1/2" PT discharge bore, 15 mm



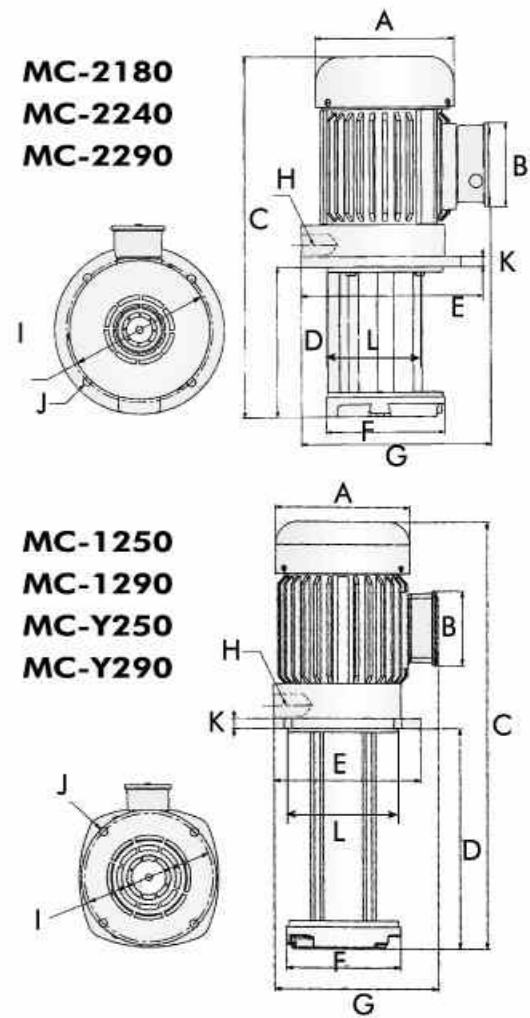
- 1/6HP:**
- 3 phase, 3/8" PT discharge bore, 12 mm
 - 1 phase, 3/8" PT discharge bore, 12 mm
 - 3 phase, 1/2" PT discharge bore, 15 mm
 - 1 phase, 1/2" PT discharge bore, 15 mm



- 1/4HP:**
- 3 phase, 1/2" PT discharge bore, 15 mm
 - 1 phase, 1/2" PT discharge bore, 15 mm
 - 3 phase, 3/4" PT discharge bore, 20 mm
 - 1 phase, 3/4" PT discharge bore, 20 mm



- 1/2HP:**
- 3 phase, 1" PT discharge bore, 27 mm
- 1 HP:**
- 3 phase, 1" PT discharge bore, 27 mm
- 1 1/2HP:**
- 3 phase, 1" PT discharge bore, 27 mm



unit:mm

MODEL NO.	HP	A	B	C	D	E	F	G	H	I	J	K
MC-8100	1/8	97	98	254	100	125	90	153	3/8" PT	128	8	7
MC-8130	1/8	97	98	277	133	125	90	153	3/8" PT	128	8	7
MC-8150	1/8	97	98	293	150	125	90	153	3/8" PT 1/2" PT	128	8	7
MC-8180	1/8	97	98	323	180	125	90	153	3/8" PT 1/2" PT	128	8	7
MC-8220	1/8	97	98	363	220	125	90	153	3/8" PT 1/2" PT	128	8	7
MC-6150	1/6	97	98	293	150	125	90	153	3/8" PT 1/2" PT	128	8	7
MC-6180	1/6	97	98	323	180	125	90	153	3/8" PT 1/2" PT	128	8	7
MC-6220	1/6	97	98	363	220	125	90	153	3/8" PT 1/2" PT	128	8	7

unit:mm

MODEL NO.	HP	A	B	C	D	E	F	G	H	I	J	K
MC-4155	1/4	132	98	350	155	175	124	198	1/2" PT 3/4" PT	158	10	7
MC-4180	1/4	132	98	380	180	175	124	198	1/2" PT 3/4" PT	158	10	7
MC-4200	1/4	132	98	400	200	175	124	198	1/2" PT 3/4" PT	158	10	7
MC-4220	1/4	132	98	420	220	175	124	198	1/2" PT 3/4" PT	158	10	7
MC-4240	1/4	132	98	440	235	175	124	198	1/2" PT 3/4" PT	158	10	7
MC-4270	1/4	132	98	470	270	175	124	198	1/2" PT 3/4" PT	158	10	7
MC-4350	1/4	132	98	550	350	175	124	198	1/2" PT 3/4" PT	158	10	7

unit:mm

MODEL NO.	HP	A	B	C	D	E	F	G	H	I	J	K	L
MC-2150	1/2	162	94	388	150	196	138	222	1" PT	171	10	12	141
MC-2180	1/2	162	94	418	180	196	138	222	1" PT	171	10	12	141
MC-2240	1/2	162	94	478	240	196	138	222	1" PT	171	10	12	141
MC-2290	1/2	162	94	528	290	196	138	222	1" PT	171	10	12	141
MC-1250	1	178	94	520	250	212	152	225	1" PT	180	11	13	155
MC-1290	1	178	94	560	290	212	152	225	1" PT	180	11	13	155
MC-1380	1	178	94	650	380	212	152	225	1" PT	180	11	13	155
MC-Y250	1 1/2	178	94	520	250	212	152	225	1" PT	180	11	13	155
MC-Y290	1 1/2	178	94	560	290	212	152	225	1" PT	180	11	13	155
MC-Y380	1 1/2	178	94	650	380	212	152	225	1" PT	180	11	13	155

MODEL NO.	HP / KW	HEIGHT	L/min MAX. OUTPUT		DISCHARGE BORE	LIFT/METER		WEIGHT
			(Single Ph.)	(Three Ph.)		(Single Ph.)	(Three Ph.)	
MC-8100	1/8 HP(0.09kw)	100 m/m	31	33	3/8" PT	5.2	5.8	5.6 Kg
MC-8130	1/8 HP(0.09kw)	134 m/m	31	33	3/8" PT	5.2	5.8	5.9 Kg
MC-8150	1/8 HP(0.09kw)	150 m/m	31	33 38	3/8" PT 1/2" PT	5.2 5	5.8 5.5	6.2 Kg
MC-8180	1/8 HP(0.09kw)	180 m/m	31 35	33 38	3/8" PT 1/2" PT	5.2 5	5.8 5.5	6.6 Kg
MC-8220	1/8 HP(0.09kw)	220 m/m	31 35	33 38	3/8" PT 1/2" PT	5.2 5	5.8 5.5	7 Kg
MC-6150	1/6HP(0.13kw)	150 m/m	34 41	38 43	3/8" PT 1/2" PT	5.4 5.3	5.9 5.6	6.7 Kg
MC-6180	1/6HP(0.13kw)	180 m/m	34 41	38 43	3/8" PT 1/2" PT	5.4 5.3	5.9 5.6	7.1 Kg
MC-6220	1/6HP(0.13kw)	220 m/m	34 41	38 43	3/8" PT 1/2" PT	5.4 5.3	5.9 5.6	7.5 Kg

MODEL NO.	HP / KW	HEIGHT	L/min MAX. OUTPUT		DISCHARGE BORE	LIFT / METER		WEIGHT
			(Single Ph.)	(Three Ph.)		(Single Ph.)	(Three Ph.)	
MC-4155	1/4 HP(0.18kw)	155 m/m	70 85	72 92	1/2" PT 3/4" PT	9.6 9.3	10.2 10	14.8 Kg
MC-4180	1/4 HP(0.18kw)	180 m/m	70 85	72 92	1/2" PT 3/4" PT	9.6 9.3	10.2 10	15 Kg
MC-4200	1/4 HP(0.18kw)	200 m/m	70 85	72 92	1/2" PT 3/4" PT	9.6 9.3	10.2 10	15.2 Kg
MC-4220	1/4 HP(0.18kw)	220 m/m	70 85	72 92	1/2" PT 3/4" PT	9.6 9.3	10.2 10	15.4 Kg
MC-4240	1/4 HP(0.18kw)	240 m/m	70 85	72 92	1/2" PT 3/4" PT	9.6 9.3	10.2 10	15.6 Kg
MC-4270	1/4 HP(0.18kw)	270 m/m	70 85	72 92	1/2" PT 3/4" PT	9.6 9.3	10.2 10	15.8 Kg
MC-4350	1/4 HP(0.18kw)	350 m/m	70 85	72 92	1/2" PT 3/4" PT	9.6 9.3	10.2 10	16.3 Kg

MODEL NO.	HP / KW	HEIGHT	L/min MAX. OUTPUT (Three Ph.)	DISCHARGE BORE	LIFT / METER (Three Ph.)		WEIGHT
MC-2150	1/2 HP(0.37kw)	150 m/m	137	1" PT	14.8	18.5 Kg	
MC-2180	1/2 HP(0.37kw)	180 m/m	137	1" PT	14.8	19 Kg	
MC-2240	1/2 HP(0.37kw)	240 m/m	137	1" PT	14.8	19.5 Kg	
MC-2290	1/2 HP(0.37kw)	290 m/m	137	1" PT	14.8	20 Kg	
MC-1250	1 HP(0.75kw)	250 m/m	190	1" PT	18.1	22.5 Kg	
MC-1290	1 HP(0.75kw)	290 m/m	190	1" PT	18.1	23 Kg	
MC-1380	1 HP(0.75kw)	380 m/m	190	1" PT	18.1	24 Kg	
MC-Y250	1.5 HP(1.12kw)	250 m/m	210	1" PT	19	23.5 Kg	
MC-Y290	1.5 HP(1.12kw)	290 m/m	210	1" PT	19	24 Kg	
MC-Y380	1.5 HP(1.12kw)	380 m/m	210	1" PT	19	25 Kg	