

BVAC-MY Series ISO 6431



Code Information / BVAC-MY Ø * Stroke

BVAC	BLUETECH Model
MY	M: Magnetic Y: Cushioning
Ø-Bore Sizes (mm)	32, 40, 50, 63, 80, 100, 125

Material Specifications

Silindir Borusu <i>Barrel</i>	Anodize Alüminyum <i>Anodised Aluminum</i>
Piston Mili <i>Piston Rod</i>	Krom Kaplı Çelik C 45 <i>Chromium Coated Steel</i>
Kapaklar <i>Covers</i>	Alüminyum <i>Aluminum</i>
Piston <i>Piston</i>	Alüminyum <i>Aluminum</i>
Keçeler <i>Seals</i>	Poliüretan + NBR <i>Polyurethane + NBR</i>
Sıcaklık (°C) <i>Temperature</i>	-20°+80

Cylinder Ø mm	A	A1	B	C	E	G	J	D1	D2	D3	D4	D5	D6	D7	D8	D9	D10	D11	D12	D13
32	116	4	94	30	18	25.1	22	M10x1.25	12	30	32.5	45	7	7	10	5.5	19	10	17	10
40	130.5	4	105	32.5	21.5	29.6	24	M12x1.25	16	35	38	54	9	10	12	5.5	22	12	19	12
50	138	4	106	41	28	29.6	32	M16x1.5	20	40	46.5	64	9	10	12	6.5	27	16	22	16
63	153.5	4	121	40.5	28.5	35.6	32	M16x1.5	20	45	56.5	75	9	10	16	6.5	27	16	22	16
80	166.7	4	128	51.3	34.7	35.9	40	M20x1.5	25	45	72	93	12	12	16	9	34	20	30	20
100	180.2	4	138	52.8	38.2	38.8	40	M20x1.5	25	55	89	110	14	14	20	9	34	20	30	20
125	212	6	160	73	46	44.7	54	M27x2	32	60	110	134	16	16	25	11	50	30	41	25

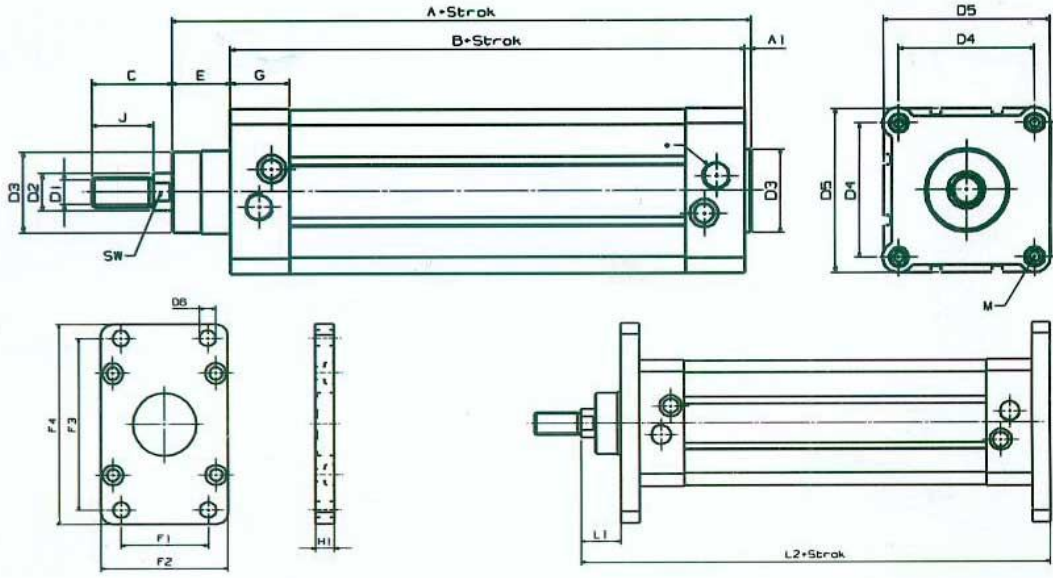
Cylinder Ø mm	F1	F2	F3	F4	F5	F6	F7	F8	F9	F10	F11	F12	F13	F14	F15	F16	F17	F18	F19	F20	F21	F22
32	32	45	64	80	45.5	24	30	26	45	22	18	31	27.5	38	51	10	20	12	40	32	20	43
40	36	54	72	90	54.5	28	37	28	52	25	22	35	30.5	41	54	12	24	14	48	38	24	50
50	45	65	90	110	65	31	41	32	60	27	30	45	40.5	50	65	16	32	19	64	51	32	64
63	50	76	100	120	76	32	44	40	70	32	35	50	44.5	52	67	16	32	19	64	51	32	64
80	63	94	126	150	94	41	56	50	90	36	40	60	57	66	86	20	40	25	80	65	40	77
100	75	112	150	175	112	41	58	60	110	41	50	70	65	76	96	20	40	25	80	65	40	77
125	90	134	180	210	131	45	67	70	130	50	60	90	85	94	124	25	50	32	100	82	50	110

Cylinder Ø mm	F23	F24	F25	H1	H2	H3	H4	L1	L2	L3	L4	P1	R1	R2	R3	M	SW	*	Z
32	10.5	14	20	10	5	9	8	16	130	142	142	32	10	10	14	M6	10	G1/8"	13
40	12	16	22	10	5	9	10	20	145	161	160	36	12	11	16	M6	13	G1/4"	13
50	15	21	28	12	6	11	12	25	155	170	170	45	13	13	21	M8	17	G1/4"	15
63	15	21	28	12	6	11	12	25	170	185	190	50	16	15	21	M8	17	G3/8"	15
80	18	25	33	16	6	14	14	30	190	210	210	63	16	15	25	M10	22	G3/8"	15
100	18	25	33	16	6	14	15	35	205	220	230	71	20	19	25	M10	22	G1/2"	15
125	25	37	51	20	8	15	20	45	245	250	275	90	25	22.5	35	M12	27	G1/2"	15

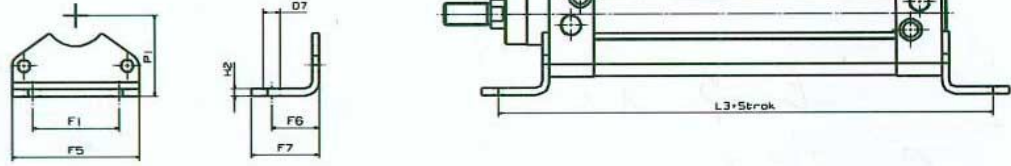
Please, contact with our company for your special application.

Özel uygulamalar için lütfen firmamızla irtibat kurunuz.

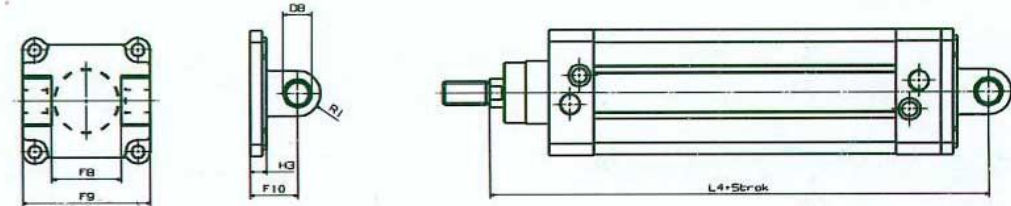
Ön ve Arka Flanş Bağlantı
Front and Rear Flange
Mounting



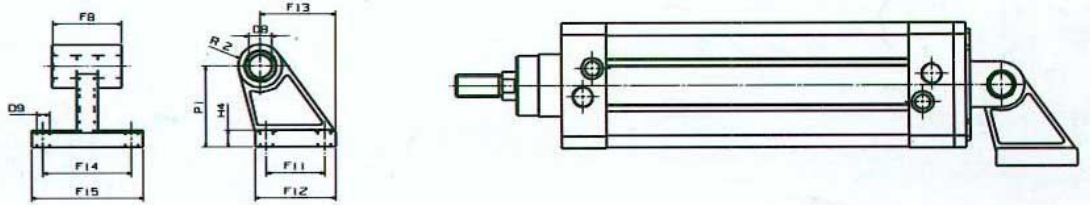
Avak Bağlantı
Foot Mounting



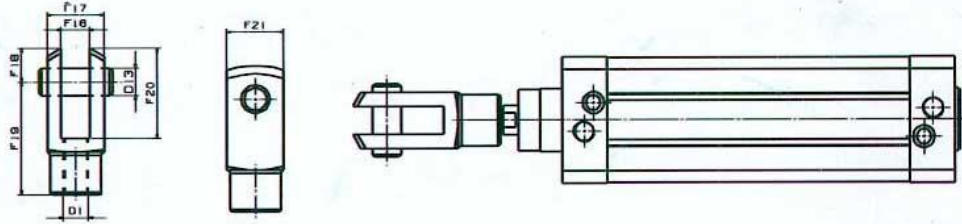
Eklemler Bağlantı
Swivel Flange



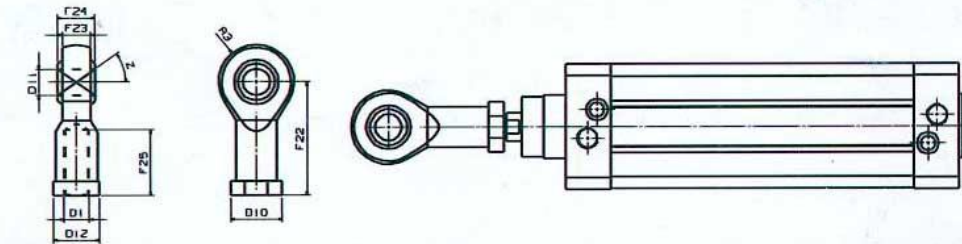
Yer Bağlantı
Clevis Foot Mounting



Çatal Bağlantı
Rod Clevis



Küresel Bağlantı
Rod End Spherical Eyes



Please, contact with our company for your special application.

Özel uygulamalar için lütfen firmamızla irtibat kurunuz.